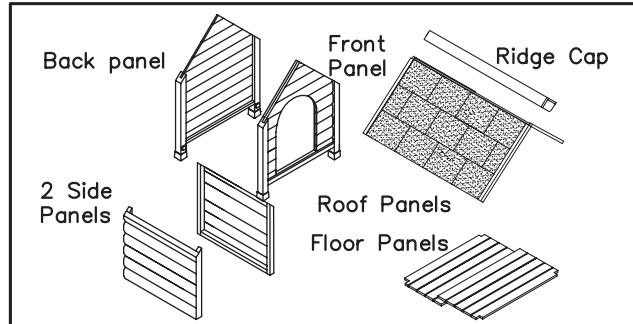
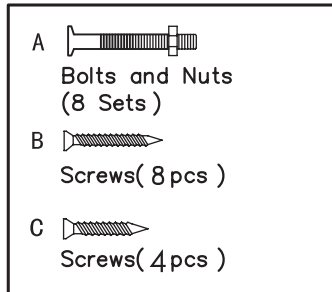
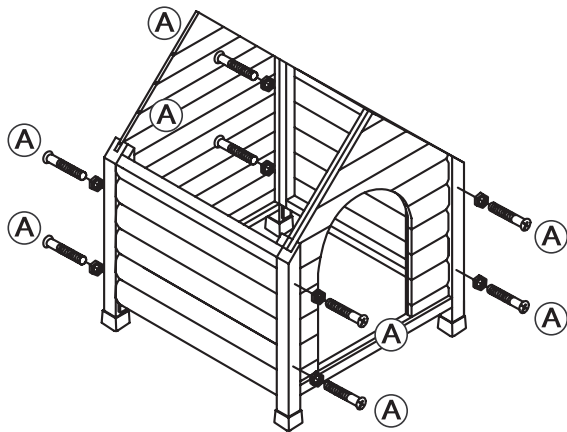


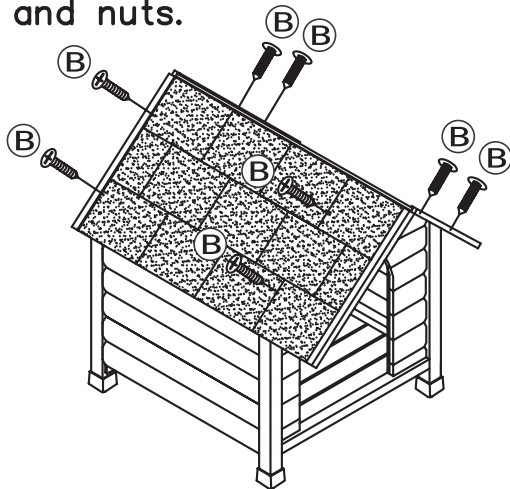
# DOG HOUSE ASSEMBLY INSTRUCTIONS



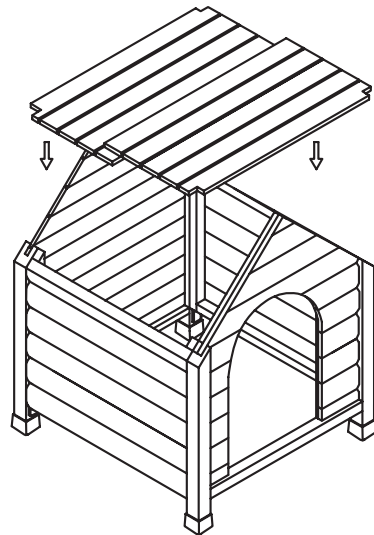
## Simple Set-Up



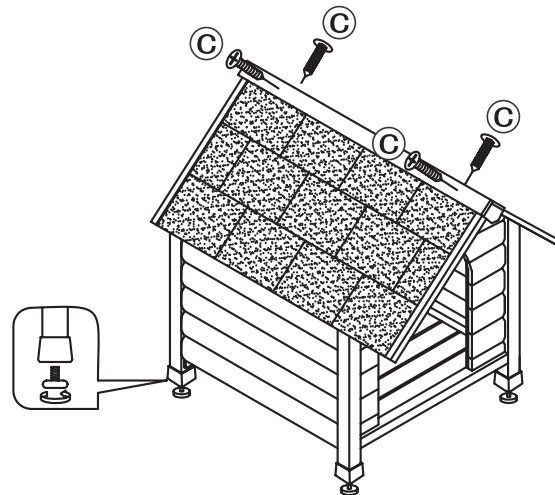
**Step 1:**  
Secure Side Panels with bolts  
and nuts.



**Step 3:**  
Attach roofs and secure with  
screws.



**Step 2:**  
Drop in floor.



**Step 4**  
Secure ridge cap onto roof with  
screws  
and attach name badge with nails.